

Programmable Room Thermostat

User Guide

Model TP201



Welcome

Your new thermostat will provide years of reliable service. Using this digital thermostat will provide more uniform comfort in your home through the seasons. Thank you for buying the product! Please read this manual for complete instructions on installing and operating your thermostat. If you require further assistance, please feel free to contact us.

In the box you will find

Thermostat	1pc
Screws	2pc
User Guide	1pc

Service

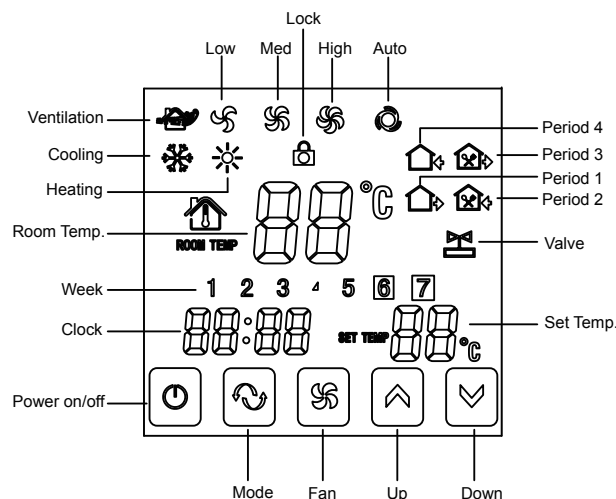
We offer the warranty of 18 months from the sales day. If it is not the problem of quality or beyond the warranty time, we will charge for the after-sale service.

TP201 series Modern Touch Screen Programmable Room Thermostats are designed to on/off control the fans and valves in air conditioner applications via comparison of the room temperature and setting temperature as reaching the aim of comfort and saving energy. TP201 are microprocessor based thermostat with LCD display.

Features of your thermostat

Modern design similar as a cell phone. Acrylic lenses to avoid the finger scratch. Touch Button makes simple operation. Large screen display with backlight is easy to read—even in the dark. 7 days four periods program schedules maximize comfort and economy. One-touch temp control overrides program schedule at any time. Precise comfort control keeps temperature within 1°C of the level you set. Easy installation. 86mm*86mm hidden box. Black and white shell is optional.

Home screen quick reference



Model definition of your thermostat

A1: Two pipe; Control Fan Coil Unit and Two wired Motorized valve.(when room temperature reaches the setpoint, both will turn off)
A2: Two pipe; Control Fan Coil Unit and Two wired Motorized valve.(when room temperature reaches the setpoint, valve will turn off but fan will turn to low speed)
B: Two pipe; Control on/off Motorized Damper
C: Two Pipe; Control Fan Coil Unit and Three wired Motorized valve
E: Four pipe; Control Fan Coil Unit and Two wired Heat and Cool Motorized valve.
L: Backlight
P: Weekly Programmable

For example: TP201A1LP

Operation

1. Setting Power on/off

Press to turn on/off the power.

2. Setting Temperature

Press to set the temperature. Factory default is 26 °C.

3. Selecting System Mode

Press to select heating, cooling or ventilation. Factory Default is ventilation.

4. Setting the Fan Speed

Press to select the fan speed.

is Low speed(Factory default);

is Med speed;

is High speed;

is Auto speed.

In auto mode, the fan will run according to the comparison of room temperature and set temperature.

5. Adjusting Day Program Schedules

Press and hold for 3 sec., hh will flash in the position of hh:mm.

Press to adjust the hour.

Press , mm will flash in the position of hh:mm.

Press to adjust the minute.

The above is the steps to set real time.

Then go into day programmable setting.

Press , 1 (for example) will flash in the position of 1234567.

Press to adjust the week.

Press , period 1 and hh will flash.

Press to adjust the hour.

Press , period 1 and mm will flash.

Press to adjust the minute.

Press to confirm the setting;

Press , period 2 and hh will flash.

Press to adjust the hour.

Press , period 2 and mm will flash.

Press to adjust the minute.

Press to confirm the setting;

Press , period 3 and hh will flash.

Press to adjust the hour.

Press , period 3 and mm will flash.

Press to adjust the minute.

Press to confirm the setting;

Press , period 4 and hh will flash.

Press to adjust the hour.

Press , period 4 and mm will flash.

Press to adjust the minute.

Press to confirm the setting;

Press , loop will display in the screen.

One day programmable setting is finished.

Technical Data of your thermostat

Power Supply: AC85~260V, 50/60HZ

Power Consumption: <0.5W

Current Load: 3A

Sensor: NTC

Accuracy: $\pm 1^{\circ}\text{C}$

Dimension: 86*86*13.3mm (H*W*D)

Set Temp.: $10^{\circ}\text{C} - 40^{\circ}\text{C}$

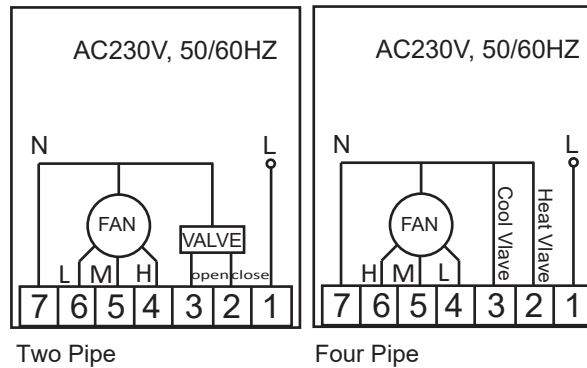
Shell Material: Fireproof PC+ABS

Installation Box: 86*86mm

Working Ambient: $0\sim 45^{\circ}\text{C}$, 5~95% non-condensing.

Storage Temp.: $-5\sim 55^{\circ}\text{C}$

Wiring your thermostat



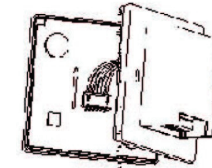
Installing your thermostat

This product is suitable for standard 86*86mm



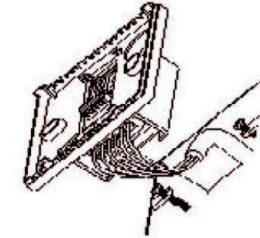
(Fig 1)

1. Open the control board by a Flat-blade screwdriver in the position of Fig 1.



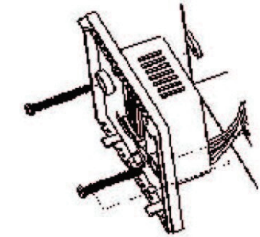
2. Remove the cables.

(Fig 2)



3. Connect the wiring.

(Fig 3)



(Fig 4)

4. Fix the back cover by the two screws inside the box.



(Fig 5)

5. Connect the control board and back cover.

NOTICE: The installation wire should be 1.5-2.5mm².

WARNING: Please arrange the professional technician to install this product according to installation drawing and instruction.

RISK OF ELECTRICAL SHOCK. Disconnect power supply before making electrical connection. Contact with components carrying hazardous voltage can cause electrical shock and may result in severe personal injury or death.instruction.

ShenZhen Toupwell Technology Co.,Ltd

Email: sales@toupwell.com

www.toupwell.com